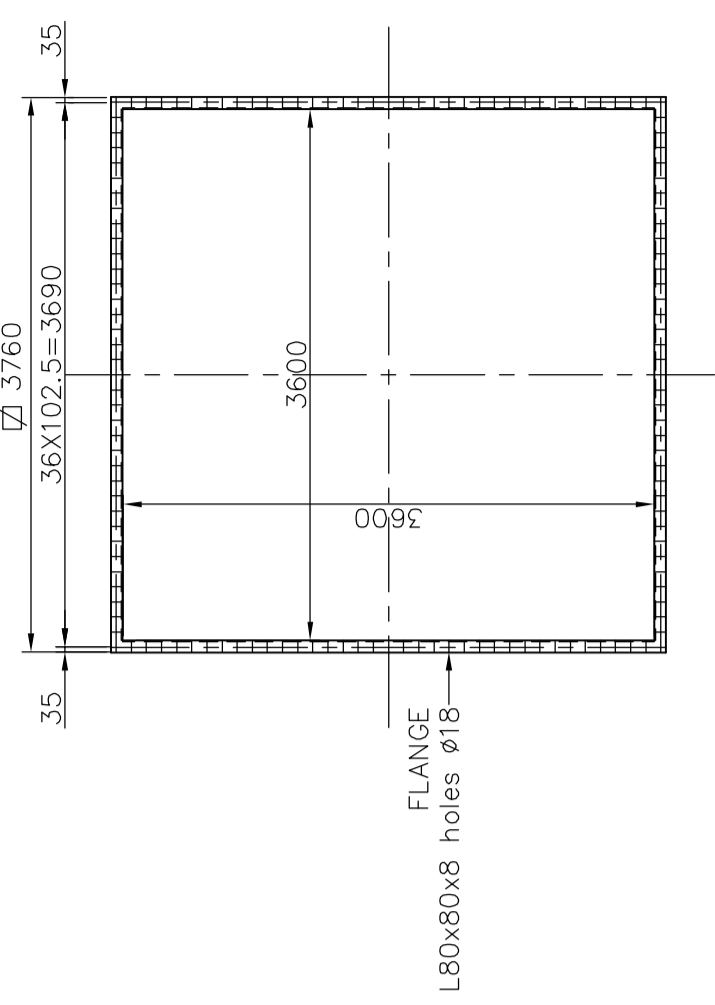
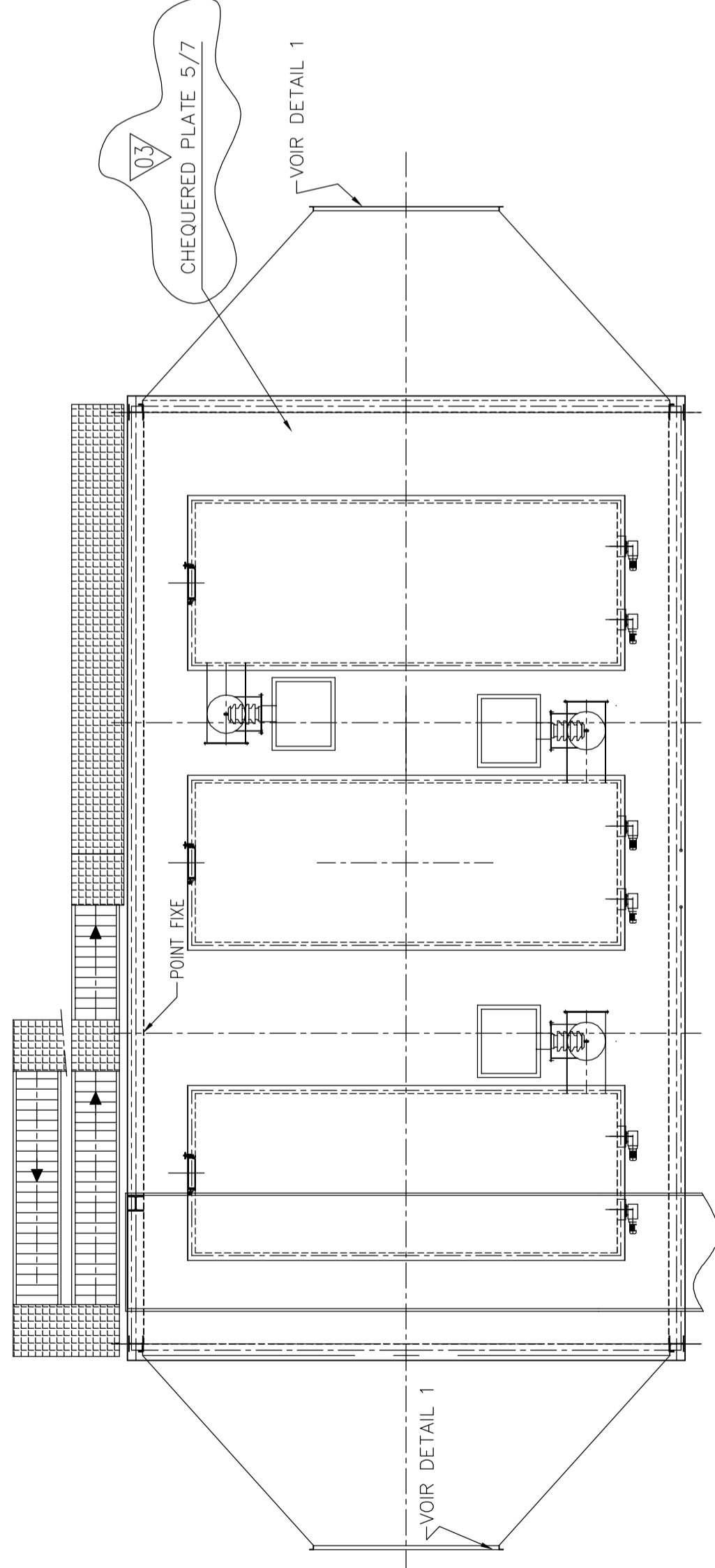
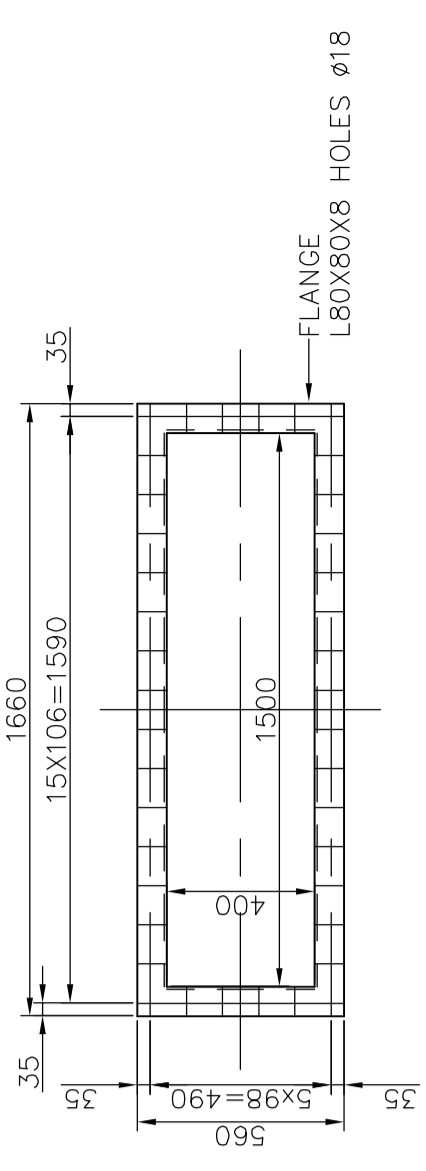


DETAIL 1



DETAIL 3



Rev.	Date	Modifications	Drawn.	Check.	Approved
03	11.08.2006	MODIFIED EE RAPING PLENUM	IKA	ALC	VMA
02	02.08.2006	Access and FP changed on client request	PHL	AMA	VMA
01	03.07.2006	ADDED ANCHORING	JCA	AMA	VMA
00	27.06.2006	FIRST ISSUE	JCA	AMA	VMA

Research-Cottrell ELECTROSTATIC PRECIPITATOR	HAMON ELECTROSTATIC PRECIPITATOR
This drawing is the property of HAMON RESEARCH-COTTCRELL and is not to be reproduced or used for any purpose other than for making of drawings or apparatus except where provided for by agreement with said company	
Daneşvayand Innovation Engineering Co.	SCALE 1/100
FORMAT A1	FORMATTING

NAHAVAND DIECO	Ref. Client NONE
06A113-100-001	DRAWING N°
05	Rev